

BEKO

BEKO

*installation, operation &
food storage instructions*

**Side by Side
Frost Free
Fridge / Freezer**

**Model
GNE 114610 FX
19,06 cu.ft.**



get the best from your new refrigerator

BEKO plc
Beko House
Caxton Way
Watford
Hertfordshire
WD18 8UF
Tel: 0845 6004911
Fax: 0845 6004922
e-mail: service@beko.co.uk
website: www.beko.co.uk

Printed in Turkey

Part no: 48 7719 00 00

Congratulations on your choice of a **BEKO** quality Appliance which has been designed to give you service for many years.

**WARNING !
IMPORTANT !**

DO NOT connect your appliance to the electricity supply until all packing and transit protectors have been removed.

- Leave to stand for at least 4 hours before switching on to allow compressor oil to settle if transported horizontally.
- If you are discarding an old refrigerator with a lock or latch fitted to the door, disable the lock/latch, ensure that it is left in a safe condition to prevent the entrapment of young children.
- This fridge/freezer must only be used for its intended purpose i.e. the storing and freezing of edible foodstuff.
- We suggest you contact your local authority for disposal information and facilities available.
- We do not recommend use of this appliance in an unheated, cold room.
(E.g.: garage, conservatory, annex, shed, out-house etc.) See Installation Instructions on page 4 for further information.
- To obtain the best possible performance and trouble free operation from your appliance it is very important to carefully read these instructions.
- On delivery, check to make sure that the product is not damaged and that all the parts and accessories are in perfect condition.
- Ensure that the plug remains readily accessible. Do not use multiple adapter bar or extension cable.
- Failure to observe these instructions may invalidate your right to free service during the guarantee period.

WARNING- Keep ventilation openings, in the appliance enclosure or in the built-in structure, clear of obstruction.

WARNING- Do not use mechanical devices or other means to accelerate the defrosting process, other than those recommended by the manufacturer.

WARNING- Do not damage the refrigerant circuit.

WARNING- Do not use electrical appliances inside the food storage compartments of the appliance, unless they are of the type recommended by the manufacturer.

- We suggest you keep these instructions in a safe place for easy reference.
- BEKO plc declines to accept any liability should the instructions not be followed.

<p>BEKO Frost Free Fridge Freezer GNE 114610 FX</p>
--

PERFORMANCE	
Energy efficiency class	A
Energy consumption - Kwh/year	528
Net storage - vol fresh food ltrs (cu.ft.)	385 lt. (13.59)
Net storage - vol frozen food ltrs (cu.ft.)	155 lt. (5.47)
Total net vol - ltrs (cu.ft.)	540 lt. (19.06)
Frozen food compartment rating	4 STAR
Conservation time from failure	15 h.
Freezing capacity fresh food - kg (lb) / 24 hrs	13
Climate class	SN-T
Operating noise level dB(A)	43

CONTENTS	PAGE
ELECTRICAL REQUIREMENTS	3
PLUMBING REQUIREMENTS	4
TRANSPORTATION INSTRUCTIONS	4
INSTALLATION INSTRUCTIONS	4
STARTING	6
STORING FRESH FOOD	7
FRIDGE COMPARTMENT STORAGE ADVICE	7
STORING PRE-FROZEN FOOD	8
GETTING TO KNOW YOUR FROST FREE FRIDGE FREEZER	9-10
USING THE ACCESSORIES	17-21
SUGGESTED ARRANGEMENT OF FOOD IN THE FRIDGE/FREEZER	11-12
TEMPERATURE CONTROL AND ADJUSTMENT	13-15
STORING FROZEN FOOD	18
FREEZING FRESH FOOD	18
DEFROSTING	18
CLEANING AND CARE	19
DO'S AND DON'TS	20
ENERGY SAVING TIPS	21
PROBLEM SOLVING AND TROUBLE SHOOTING	21-25
GUARANTEE DETAILS	26
HOW TO OBTAIN SERVICE	27

ELECTRICAL REQUIREMENTS

Before you insert the plug into the wall socket make sure that the voltage and the frequency shown in the rating plate inside the appliance corresponds to your electricity supply.

Rating label is on the left hand side of fridge inner liner.

We recommend that this appliance be connected to the mains supply via a suitable switched and fused socket. The appliance must be positioned so that the plug is accessible.

Should the mains lead of the appliance become damaged or should it need replacing at any time, it must be replaced by a special purpose made mains lead which can only be obtained from a BEKO Authorised Service Agent.


WARNING! THIS APPLIANCE MUST BE EARTHED

If the fitted moulded plug is not suitable for your socket, then the plug should be cut off and an appropriate plug fitted. Destroy the old plug which is cut off as a plug with bared cord could cause a shock hazard if inserted into a socket elsewhere in the house.

The moulded plug on this appliance incorporates a 13 A fuse. Should the fuse need to be replaced an ASTABEAB approved BS 1362 fuse of the same rating must be used. Do not forget to refit the fuse cover. In the event of losing the fuse cover the plug must not be used until a replacement fuse cover has been fitted. Colour of the replacement fuse cover must be the same colour as that visible on the pin face of the plug. Fuse covers are available from any good electrical store.

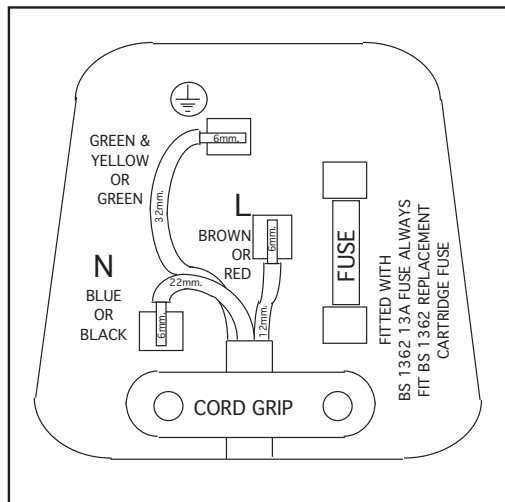
IMPORTANT! FITTING A DIFFERENT PLUG

As the colours of the wires in the mains lead of this appliance may not correspond with the coloured markings identifying the terminals in your plug proceed as follows: (See diagram).

1. Connect the green-yellow or green (Earth) wire to the terminal in the plug marked 'E' or with the symbol  or coloured green and yellow or green.
2. Connect the blue (Neutral) wire to the terminal in the plug marked 'N' or coloured black.
3. Connect the brown (Live) wire to the terminal in the plug marked 'L' or coloured red.

With alternative plugs a 13 A fuse must be fitted either in the plug or adaptor or in the main fuse box.

If in doubt contact a qualified electrician.



TRANSPORTATION INSTRUCTIONS

1. The appliance should be transported only in a vertical upright position. The packing as supplied must be intact during transportation.
2. If during the course of transport the appliance has to be transported horizontally, it must only be laid on its left hand side when standing in the front of the appliance. After bringing it to upright position, it must not be operated for at least 4 hours to allow the system to settle.
3. Failure to comply with the above instructions could result in damage occurring to the appliance. The manufacturer will not be held responsible if these instructions are disregarded.
4. The appliance must be protected against rain, moisture and other atmospheric influences.
5. When positioning your appliance take care not to damage your flooring, pipes, wall coverings etc. Do not move the appliance by pulling by the door or handle.
6. Empty any water in the drain tray before moving. See section 'Care & cleaning' for further information.

Do not attempt to sit or stand on top of your appliance as it is not designed for such use. You could injure yourself or damage the appliance.

IMPORTANT: Make sure that mains cable is not caught under the appliance during and after carrying / moving the appliance, to avoid the mains cable becoming cut or damaged."

Do not allow children to play with the appliance or tamper with the controls.

IMPORTANT

INSTALLATION INSTRUCTIONS

1. The space in the room where the appliance is installed must not be smaller than 10 cubic metres.
2. Do not put your fridge freezer in a cold room where the temperature is likely to go below +5 degrees C (41 degrees F) during night time and/or especially in winter.

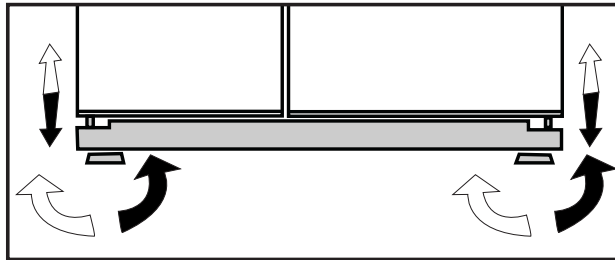
This fridge freezer has been designed to operate in ambient temperatures between +5 and +32 degrees C (41 and 90 degrees F) Therefore if the appliance is installed in an unheated/cold room (eg: conservatory/annex/shed/garage etc) then the appliance will not operate causing the freezer compartment to run warmer and as a result the storage time of frozen food may be reduced.

3. Do not place the appliance near cookers, radiators or in direct sunlight as this will cause your appliance to work harder. If installed next to a source of heat or freezer, maintain the following minimum side clearances:

From Cookers	50 mm (2")
From Radiators	300 mm (12")
From Freezers	25 mm (1")
From Wall	50 mm (2")

4. **Adjustable feet adjustment for levelling**

If your refrigerator is not level, you can level it by turning the front feet as illustrated in the figure below. The corner where the feet is lowered when you turn in the direction of black arrow and raised when you turn in the opposite direction. You may need somebody to help you to slightly lift the refrigerator off the floor for a few centimeters. Take care when lifting the appliance because it is very heavy.



STARTING

Final Check

Before you start using the fridge/freezer check that:

1. The feet have been adjusted so that the product is level.
2. The interior is dry and air can circulate freely at the rear of the cabinet.
3. Clean the interior as recommended under "CLEANING AND CARE."
4. Insert the plug into the wall socket and switch on the electricity supply.
 - When the door is open the respective interior light will come on.
5. You will hear noise as the compressor starts up. The liquid and gases sealed within the refrigeration system may also give rise to noise, whether the compressor is running or not which is quite normal.

"Due to the operation of fans inside the appliance, overall noise level is slightly higher in comparison to non-frost free appliances. This is quite normal and is not a fault."
6. Front edges of the cabinet may feel warm. This is normal. These areas are designed to be warm to avoid condensation.
7. **"Do not load the appliance immediately it is switched on. Wait until the correct storage temperature has been reached."**
8. When the compartments reach the desired temperatures fans will stop. When the freezer fan is on, the noise will be louder when the freezer door is opened.
9. **Avoid spillage of food particularly small items like rice, peas, beans through the fan guard and air flow vents as they may cause the cooling system to block and therefore operate less efficiently.**
10. The factory set temperature is +4°C for fridge compartment and -18°C for freezer compartment.
11. The compressor will start running approximately **5 minutes** after the refrigerator is plugged in to protect the electronic components of your appliance. After start up of the compressor, compartment temperatures will reach the set temperatures in 24 hours depending on the ambient temperature and load in your refrigerator.
12. Pay attention to the following points during the first **24 hours** of the operation:
 - Do not open the doors frequently.
 - Do not overload your refrigerator.
 - Do not put hot food.

SUGGESTIONS FOR STORING FRESH FOOD

Meat & poultry- Best stored in the Chiller Compartment

- Wrap raw meat and poultry loosely in polythene bags or aluminium foil. This prevents drying.
- Wrap fish and similar items in polythene bags to avoid drying and odour.

Dairy Products

- Wrap cheese firstly in greaseproof paper and then in polythene bag excluding as much air as possible. For best results take out of the fridge compartment an hour before eating.
- Wrap bread well to keep it fresh.

Fruit & vegetables

- Take off any unusable leaves on vegetables and wipe off any soil.
- Leave lettuce, cabbage, parsley and cauliflower on the stem.
- Wrap pineapples, melons, cucumbers, tomatoes and similar produce in polythene bags as these types of produce may suffer damage if kept at very low temperatures.
- Wrap food, which has a strong odour, or can dry out, in polythene bags, aluminium foil, or place in an airtight container.

FRIDGE COMPARTMENT STORAGE ADVICE

Fruit & vegetables

- Don't store bananas.
- Don't store melon - it can be chilled for short periods as long as it is wrapped to avoid it flavouring other food.
- Wrap food affected by temperatures near 0°C (pineapples, salads, cucumbers, tomatoes etc.) in polythene bags to avoid freezing.

Meat & poultry

- Store raw meat and poultry below cooked food and dairy products.
- Do not allow raw meat to come into contact with cooked food to avoid contamination. For safety, only store raw meat for two to three days in the Chiller Compartment.

General

- Cooked dishes must be stored in airtight covered containers.
- Don't store cooked and fresh food together in the same container.
- Always allow hot food and beverages to cool first.
- Leftover canned food should not be stored in the can.
- Place chilled cooked food and similar food in the Chiller Compartment.
- Keep food for as short a time as possible and adhere to 'best before' and 'use by' dates.
- Don't let defrosting food or food juices drip onto other food.

STORING PRE-FROZEN FOOD

- Take special care not to mix with fresh and thawed food.
- The recommendation for ******** (4 star means -18°C or colder) storage as stated on the food packaging must always be followed.
- Pre-packed frozen food should be stored in accordance with the food manufacturer's instructions for a ******** frozen food storage compartment.
- To ensure that the high quality achieved by the food manufacturer and retailer is maintained:
 - 1 Wrap packets when you buy them.
 - 2 Put packets in the freezer as quickly as possible after purchase.
 - 3 Ensure that contents are labelled and dated.
 - 4 Do not exceed 'use by' and 'best before' dates.

FREEZING FRESH FOOD - See also page 18

- Take special care not to mix with already frozen food.
- Always choose high quality fresh food and be sure it is thoroughly clean.
- You can place food to be frozen in any compartment in the freezer.

Amounts

- Do not exceed the freezing capacity which in a 24 hour period is 13 kg.
- Prepare fresh food in small portions to ensure rapid freezing. Do not freeze too large a quantity at any one time. The quality is best preserved when the food is frozen right through to the core as quickly as possible.
- When freezing the maximum amount press the Fresh Freeze button.
- When freezing small amounts, i.e. 2 kg (5lbs) there is no need to press the Fresh Freeze button.

Preparation

- Wrap food in aluminium foil or freezer quality polythene bags.
- Wrap fish and similar items in polythene bags.
- Wrap food which has a strong odour or can dry out, in polythene bags, aluminium foil, or place in airtight containers.
- Make sure all air is excluded from foil wrapping or bags.

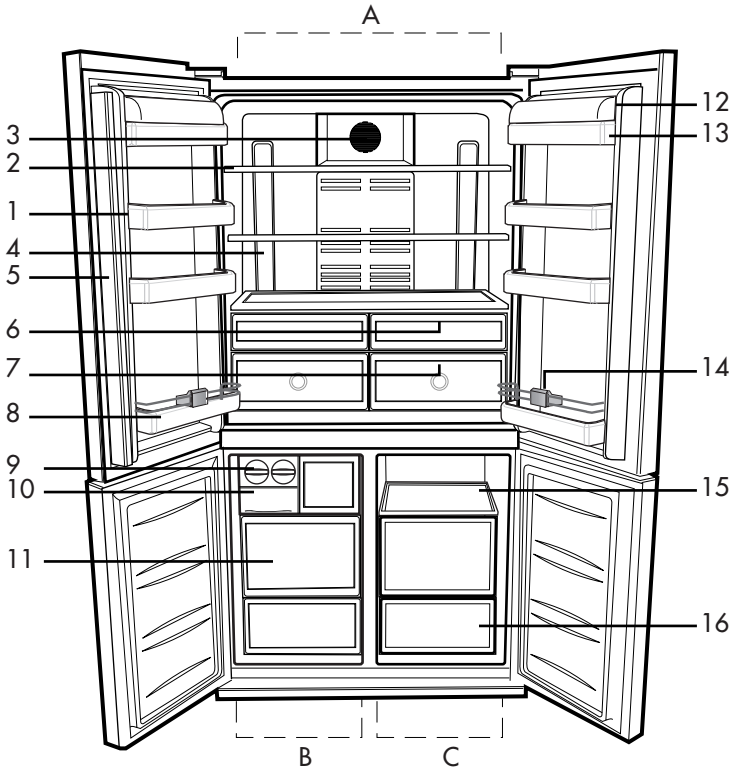
Freezer compartment storage info/advice

- Do not leave frozen food at room temperature to thaw; the best way to defrost food is to put it in the fridge to thaw slowly. Make sure you avoid defrosting food or food juices drip onto other food.
- The freezer compartment is ******** rated and suitable for the freezing and storage of pre-frozen food.
- Don't freeze filled bottles or sealed cans containing fizzy (carbonated) drinks as they may burst.
- Check contents of the freezer every so often to make sure items are not stored for too long.
- Don't close the freezer door before placing the drawers in place.
- Don't try to keep frozen food which has thawed, it should be eaten within 24 hours or cooked and re-frozen.
- If there is a power failure do not open the door. Frozen food should not be affected if the failure lasts for less than 8 hours. If the failure is longer, then the food should be checked and either eaten immediately or cooked and then re-frozen.
- Placing warm food into the freezer compartment causes the compressor to operate continuously until the food is frozen solid. This can temporarily lead to excessive cooling of the fridge compartment.

Serving

- Don't remove items from the freezer with wet hands.
- Don't give children ice cream direct from the freezer. The low temperature may cause 'freezer burns' on lips.
- Products such as flavoured ice lollies should not be consumed too cold for the same reason.
- Defrost food from the freezer in the fridge compartment.

GETTING TO KNOW YOUR FROST FREE FRIDGE / FREEZER



- A- Fridge compartment
- B- Freezer compartment
- C- Multi Zone

- | | |
|--|--------------------------------------|
| 1- Fridge compartment door shelves | 9- Icematic |
| 2- Fridge compartment adjustable cabinet shelves | 10- Icebox |
| 3- Diffuser cover | 11- Frozen food storage compartments |
| 4- Illumination lens | 12- Butter & Cheese shelf cover |
| 5- Rotating middle section | 13- Butter & Cheese shelf |
| 6- Chiller compartment | 14- Bottle holder |
| 7- Crisper | 15- Multi Zone compartment shelves |
| 8- Bottle shelf | 16- Multi Zone compartment |

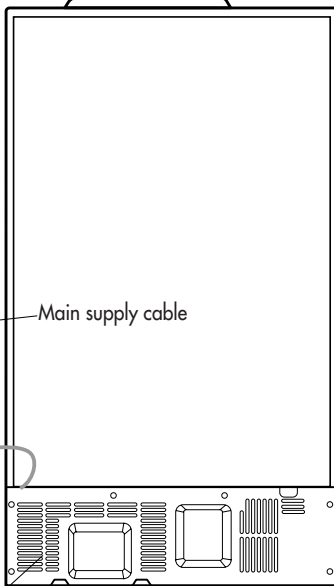
GETTING TO KNOW YOUR FROST FREE FRIDGE / FREEZER



TOP COVER: NEVER REMOVE THIS COVER



Main supply cable



REAR COVER: NEVER REMOVE THIS COVER

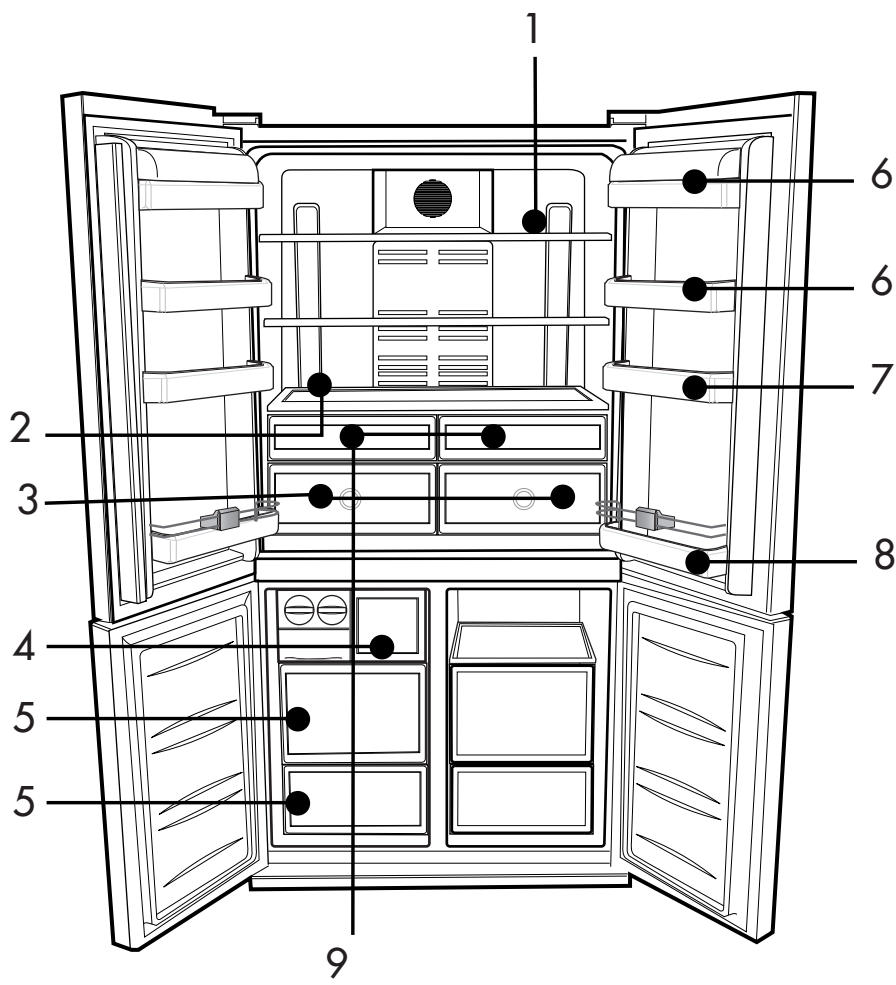
SUGGESTED ARRANGEMENT OF FOOD IN THE FRIDGE/FREEZER

Arrangement Examples (See diagram)

1. Baked, chilled cooked food.
2. Meat, sausages, cold cuts - You may also use Chiller Compartment (3) to store these items
3. Fruit, vegetables, salads.
4. Fastest freezing compartment
5. Frozen food and freezing of fresh food.
6. Butter, cheese, eggs.
7. Small items
8. Tall bottles, beverages.
9. Dairy products, small packs.

The following guidelines and recommendations are suggested to obtain the best results and storage hygiene.

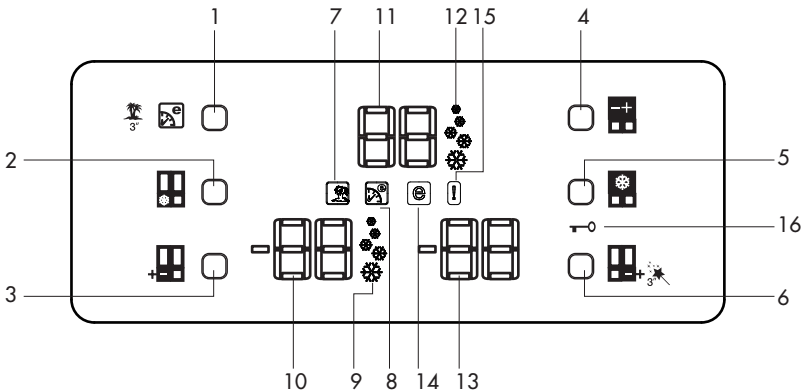
1. The fridge compartment is for the short term storage of fresh food and drinks.
2. The freezer compartment is *** ** *** (4 star) rated and is suitable for the freezing of fresh food and storage of pre frozen food. The recommendation for *** ** *** storage as stated on the food packaging should be observed at all times.
3. Cooked dishes must be stored in airtight covered containers.
4. Fresh wrapped produce can be placed on the shelf. Fresh fruit and vegetables should be cleaned and stored in the crisper bins.
5. Bottles can be placed in the door section.
6. To store raw meat, wrap in polythene bags and place in the Chiller Compartment. Do not allow such items to come into contact with cooked food to avoid contamination. For safety, only store raw meat for two to three days.
7. Keep the food packed wrapped or covered. Allow hot food and beverages to cool before placing them in the fridge. Do not store explosive substances. High proof alcohol must be stored upright in sealed containers. Left over canned food should not be stored in the can.
8. Fizzy drinks should not be frozen and products such as flavoured water ices, ice lollies should not be consumed too cold.
9. Some fruit and vegetables suffer damage if kept at temperatures near 0°C for example in the Chiller Compartment. Therefore wrap pineapples, melons, cucumbers, tomatoes and similar produce in polythene bags and never place them in the chiller compartment.
10. Place chilled cooked food and similar food in the Chiller Compartment.
11. Shelves, racks, crisper bins, drawers, flaps, bottle grippers are all removable.
12. Do not leave frozen food at room temperature to thaw; the best way to defrost food is to put it in the fridge to thaw slowly. Make sure you avoid defrosting food or food juices drip onto other food.
13. For hygiene reasons, always wrap food using a suitable packaging material before storing in your appliance to avoid contact with the appliance surface.



TEMPERATURE CONTROL AND ADJUSTMENT

Indicator Panel

This touch-control indicator panel allows you to set the temperature without opening the door of your refrigerator. Just touch the relevant button with your finger to set the temperature.



1. Eco Extra/Vacation Button
2. Fast Freeze Button
3. Freezer Compartment Temperature Setting Button
4. Fridge Compartment Temperature Setting Button
5. Quick Cool Button
6. Multi Zone Storage Compartment Temperature Setting Button
7. Vacation Function Indicator
8. Eco Extra Function Indicator
9. Quick Freeze Function Indicator
10. Freezer Compartment Temperature Indicator
11. Fridge Compartment Temperature Indicator
12. Quick Cool Function Indicator
13. Multi Zone Storage Compartment Temperature Indicator
14. Economy Mode Indicator
15. Error Status Indicator
16. Key Lock Indicator

1. Eco Extra/Vacation Button

Press this button briefly to activate the Eco Extra function. Press and hold this button for 3 sec. to activate the Vacation function. Press this button again to deactivate the selected function.

2. Fast Freeze Button

Press this button briefly to activate the Fast Freeze function. Press this button again to deactivate the selected function.

3. Freezer Compartment Temperature Setting Button

Press this button to set the temperature of the freezer compartment to -18, -20, -22, -24, -18... respectively. Press this button to set the desired temperature for the Freezer Compartment.

4. Fridge Compartment Temperature Setting Button

Press this button to set the temperature of the fridge compartment to 8, 6, 4, 2, 8... respectively. Press this button to set the desired temperature for the Fridge Compartment.

5. Quick Cool Button

Press this button briefly to activate the Quick Cool function. Press this button again to deactivate the selected function.

6. Multi Zone Storage Compartment Temperature Setting Button

You can set the Multi Zone Storage Compartment either as a Freezer or a Cooler. Press and hold this button for 3 sec. to set the Multi Zone Storage Compartment either as a Freezer or a Cooler. This compartment is set as a Freezer Compartment at factory.

If the Multi Zone Storage Compartment is set as a Freezer, then the temperature of the Multi Zone Storage Compartment will change as -18, -20, -22, -24, -18... respectively each time you press this button. If the Multi Zone Storage Compartment is set as a Cooler, then the temperature of the

Multi Zone Storage Compartment will change as 10, 8, 6, 4, 2, 0, -6,... respectively each time you press this button.

7. Vacation Function Indicator

Indicates that the vacation function is active. If this function is active, \bar{v} appears on the indicator of the fridge compartment **and no cooling is performed in the fridge compartment**. Other compartments will be cooled in accordance with the temperature set for them.

Press the relevant button again to deactivate this function.

8. Eco Extra Function Indicator

Indicates that the Eco Extra function is active. If this function is active, your refrigerator will automatically detect the least usage periods and energy-efficient cooling will be performed during those times. Economy indicator will be active while energy-efficient cooling is performed.

Press the relevant button again to deactivate this function.

9. Quick Freeze Function Indicator

Indicates that the Quick Freezer function is active. Use this function when you place fresh food into the freezer compartment or when you need ice. When this function is active, your refrigerator will run for 6 hours without stopping.

Press the relevant button again to deactivate this function.

10. Freezer Compartment Temperature Indicator

Indicates the temperature set for Freezer Compartment.

11. Fridge Compartment Temperature Indicator

Indicates the temperature set for Fridge Compartment.

12. Quick Cool Function Indicator

Indicates that the Quick Cool function is active. Use this function when you place fresh food into the fridge compartment or when you need to

cool your food quickly. When this function is active, your refrigerator will run for 2 hours without stopping.

Press the relevant button again to deactivate this function.

13. Multi Zone Storage Compartment Temperature Indicator

Indicates the temperature set for Multi Zone storage compartment.

14. Economy Mode Indicator

Indicates that the refrigerator is running in energy-efficient mode. Freezer Compartment temperature This indicator will be active if the function is set to -18 or the energy efficient cooling is being performed due to Eco-Extra function.

15. Error Status Indicator

If your refrigerator does not cool adequately or if there is a sensor failure, this indicator will be activated. When this indicator is active, Freezer Compartment Temperature indicator will display "E" and Fridge Compartment Temperature Indicator will display numbers such as "1,2,3...". These numbers on the indicator provides information about the error to the service personnel.

16. Key Lock Indicator

Use this function if you do not want your refrigerator temperature setting changed. Press Quick Cool Button and Multi Zone Storage Compartment Temperature Setting Button simultaneously for 3 sec. to activate this feature. Press the relevant buttons again to deactivate this function.

Door Open Alarm:

If the either of the fridge compartment door or **Multi Zone** Storage Compartment door remains open for minimum 1 minutes, audio Door Open Alarm will be activated. Just press any button on the indicator or close the open door to silence the alarm.

Egg tray

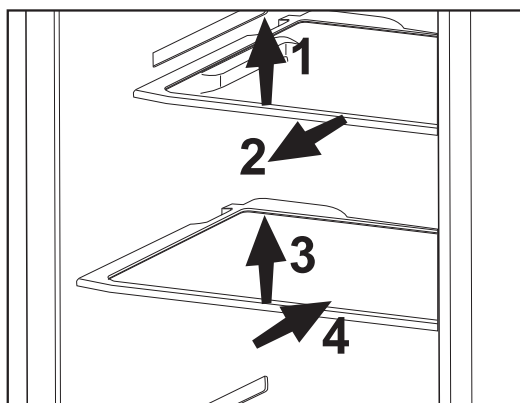
- You can install the egg holder to the desired door or body shelf.
- Never store the egg holder in the freezer compartment.

Sliding Body Shelves

- Sliding body shelves can be pulled by slightly lifting up from the front and moved back and forth. They come to a stop point when pulled towards front to allow you reach the foods placed at the back of the shelf; when it is pulled after slightly lifted upwards at the second stop point, the body shelf will be released.

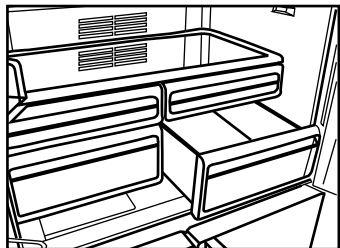
The shelf should be hold tightly from the bottom as well in order to prevent it from tipping over. The body shelf is placed on the rails at the sides of the refrigerator body by bringing it to one lower or one upper level.

The body shelf should be pushed backwards to seat it completely.



Crisper

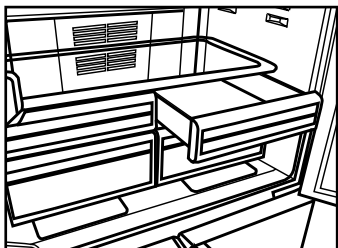
Crisper of your refrigerator is designed specially to keep your vegetables freshly without losing their humidity. For this purpose, cool air circulation occurs around the crisper in general.



Chiller compartment

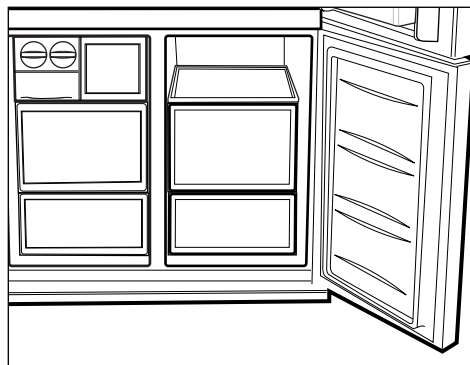
Chiller compartments enable the foods to be frozen become ready for freezing. You can also use these compartments to store your food at a temperature a few degrees below the fridge compartment.

You can increase the inner volume of your refrigerator by removing any of the snack compartments. To do this, pull the compartment towards yourself; the compartment will lean against the stopper and stop. This compartment will be released when you lift it about 1 cm and pull it towards yourself.



Multi Zone Storage Compartment

The Multi Zone storage compartment of your refrigerator may be used in any desired mode by adjusting it to cooler or freezer temperatures. You can keep the compartment in the desired temperature with the "Multi Zone Compartment Temperature Setting Button". The temperature of the Multi Zone storage compartment may be set to 0 and 10 degrees as to be different from the fridge compartment and to -6 degrees as to be different from the freezer compartment. 0 degree is used to store the deli products longer, and -6 degrees is used to keep the meats up to 2 weeks in an easily cuttable condition. There is a noise like the noise of the seconds of an analogue clock. This is noise because of the working valve which is used for the temperature control of the special Fridge or Freezer zone. It is normal and not a fault.



Rotating Middle Section

Rotating middle section is intended to prevent the cold air inside your refrigerator from escaping outside. Rotating middle section aids in sealing since the gaskets on the door presses on the surface of the Rotating middle section when the doors of the fridge compartment are closed.

Another reason that your refrigerator is equipped with a rotating middle section is that it increases the net volume of the fridge compartment.

Standard middle sections occupy some non-usable volume in the refrigerator.


The rotating middle section is activated automatically when opening and closing the left hand door. **DO NOT** attempt to rotate this manually.

Blue light

Foodstuff stored in the crispers that are enlightened with a blue light continue their photosynthesis by means of the wavelength effect of blue light and thus, preserve their freshness and increase their vitamin content for longer.



SUGGESTIONS FOR STORING FROZEN FOOD

Prepacked commercially frozen food should be stored in accordance with the frozen food manufacturer's instructions for a  (4 star) frozen food storage compartment.

To ensure that the high quality achieved by the frozen food manufacturer and the food retailer is maintained, the following should be remembered:

1. Put packets in the freezer as quickly as possible after purchase.
2. Ensure that contents are labelled and dated.
3. Do not exceed "Use By", "Best Before" dates on the packaging.

If there is a power failure do not open the freezer door. Frozen food should not be affected if the failure lasts for less than 8 hrs. If the failure is longer, then the food should be checked and either eaten immediately or cooked and then re-frozen.

FREEZING FRESH FOOD

Please observe the following instructions to obtain the best results.

Do not freeze too large a quantity at any one time. The quality of the food is best preserved when it is frozen right through to the core as quickly as possible.

Do not exceed the freezing capacity of your appliance in 24 h which is 13 kg.

Placing warm food into the freezer compartment causes the refrigeration compressor to operate continuously until the food is frozen solid. This can temporarily lead to excessive cooling of the refrigeration compartment.

You may place fresh food to be frozen in any part of the freezer, however we recommend fresh freeze compartment for fastest freezing.

Take special care not to mix already frozen food and fresh food.

DEFROSTING

The fridge and freezer compartments defrost automatically.

CLEANING AND CARE

- ** We recommend that you switch off the appliance at the socket outlet and pull out the mains plug before cleaning.
- ** Never use any sharp abrasive instrument, soap, household cleaner, detergent and wax polish for cleaning.
- ** Use luke warm water to clean the cabinet of the appliance and wipe it dry.
- ** Use a damp cloth wrung out in a solution of one teaspoon of bicarbonate of soda to one pint of water to clean the interior and wipe it dry.
- ** Make sure that no water enters the lamp housing and other electrical items.
- ** If the appliance is not going to be used for a long period of time switch it off, remove all food, clean it and leave the door ajar.
- ** Vacuum-clean the dusts on the appliance once a year.
- ** Check door seals regularly to ensure they are clean and free from food particles.
- ** Removal of door tray
 - To remove door racks, remove all the contents and then simply push the door rack upwards from the base.
- ** To remove a freezer drawer, pull it as far as possible, and then tilt it upwards, and then pull it out completely.
- ** Avoid spillage of food particularly small items like rice, peas, beans through the fan guard as they may cause the cooling system to block and therefore operate less efficiently.

Protection of plastic surfaces

Do not put liquid oils or oil-cooked meals in your refrigerator in unsealed containers as they damage the plastic surfaces of your refrigerator. In case of spilling or smearing oil on the plastic surfaces, clean and rinse the relevant part of the surface at once with warm water.

Specially Treated Doors

Genuine stainless steel doors have been specially treated to enhance and maintain the elegant appearance of the material. To ensure you can preserve and maintain this, we recommend that you regularly wipe the doors, in an up and down motion with a soft, dry and clean piece of kitchen roll. For further information, please contact Beko Customer Services.

KEY DO'S AND DON'TS

- Do- Clean your appliance regularly (See "Cleaning and Care")
- Do- Keep raw meat and poultry below cooked food and dairy products.
- Do- Take off any unusable leaves on vegetables and wipe off any soil.
- Do- Leave lettuce, cabbage, parsley and cauliflower on the stem.
- Do- Wrap cheese firstly in greaseproof paper and then in a polythene bag excluding as much air as possible. For best results take out of the fridge compartment an hour before eating.
- Do- Wrap raw meat and poultry loosely in polythene or aluminium foil. This prevents drying.
- Do- Wrap fish and offal in polythene bags.
- Do- Wrap food which have a strong odour or can dry out in polythene bags, aluminium foil or place in an airtight container.
- Do- Wrap bread well to keep it fresh.
- Do- Chill white wines, beer, lager and mineral water before serving.
- Do- Check contents of the freezer every so often.
- Do- Keep food for as short a time as possible and adhere to "Best Before", "Use by" etc. dates.
- Do- Store commercially frozen food in accordance with the instructions given on the packets that you buy.
- Do- Always choose high quality fresh food and be sure it is thoroughly clean before you freeze it.
- Do- Prepare fresh food for freezing in small portions to ensure rapid freezing.
- Do- Wrap all food in aluminium foil or freezer quality polythene bags and make sure any air is excluded.
- Do- Wrap frozen food when you buy it and put it in to the freezer as soon as possible.
- Do- Defrost food in the fridge compartment.
- Do- Remove ice cream from the freezer 10-20 minutes before serving.

- Don't- Store bananas in your fridge compartment.
- Don't- Store melon in your fridge. It can be chilled for short periods as long as it is wrapped to avoid it flavouring other food.
- Don't- Store poisonous or any dangerous substances in your appliance. It has been designed for the storage of edible foodstuffs only.
- Don't- Consume food which has been stored for an excessive time in the fridge.
- Don't- Store cooked and fresh food together in the same container. They should be packaged and stored separately.
- Don't- Let defrosting food or food juices drip onto food.
- Don't- Leave the door open for long periods as this will make the appliance more costly to run and cause excessive ice formation.
- Don't- Put hot food into the appliance. Let it cool down first.
- Don't- Put liquid-filled bottles or sealed cans containing carbonated liquids into the freezer as they may burst.
- Don't- Exceed the maximum freezing loads (13 kg in any 24 hours) when freezing fresh food.
- Don't- Give children ice-cream and water ices direct from the freezer. The low temperature may cause 'freezer burns' on lips.
- Don't- Freeze fizzy drinks.
- Don't- Try to keep frozen food which has thawed, it should be eaten within 24 hours or cooked and refrozen.
- Don't- Remove items from the freezer with wet hands.
- Don't- Close the freezer door before placing the compartment drawer in place.
- Don't- Leave frozen food at room temperature to thaw; the best way to defrost food is to put it in the fridge to thaw slowly. Make sure you avoid defrosting food or food juices drip onto other food.

ENERGY SAVING TIPS

- 1- Ensure your appliance is installed in a well ventilated area. If the ambient temperature is low (but in no case lower than 5 degrees C), then the energy saving will be more.
- 2- Ensure the time between buying chilled/frozen food and placing them in your appliance is kept at minimum, particularly in summer. We recommend you use a cool bag or a special carrier bag to carry frozen food.
- 3- Do not leave the door (s) of your appliance open longer than necessary and ensure they are closed properly after each opening.
- 4- Defrost frozen food in the fridge compartment, so that frozen food acts as an ice pack to assist cooling in the fridge.
- 5- When the Multi Zone Storage Compartment is set as freezer, the upper drawer must be taken out and the upper shelf must be relocated the lower position for the most efficient use of energy.

PROBLEM SOLVING AND TROUBLE SHOOTING

If the appliance does not operate when switched on, check whether:

- The plug is inserted properly in the socket and that the power supply is on. (To check the power supply to the socket, plug in another appliance)
- The fuse has blown/circuit breaker has tripped/main distribution switch has been turned off.
- The temperature control has been set correctly.
- New plug is wired correctly if you have changed the fitted moulded plug.

If the appliance is still not operating after the above checks, please refer to the section on "How To Obtain Service".

Please ensure that above checks have been made as a charge will be made if no fault is found.

Please read this list carefully before calling for service. See Guarantee Details on page 26. Some of the features described here may not exist in your product.

Complaint	Possible Reason	Solution
The refrigerator does not operate	Is the refrigerator properly plugged in?	Insert the plug to the wall socket.
	Is the fuse of the socket which your refrigerator is connected to or the main fuse blown out?	Check the fuse.
Condensation on the side wall of the fridge compartment.	Very cold ambient conditions. Frequent opening and closing of the door. Highly humid ambient conditions. Storage of food containing liquid in open containers. Leaving the door ajar.	Switching the thermostat to a colder degree. Decreasing the time the door left open or using it less frequently. Covering the food stored in open containers with a suitable material. Wipe the condensation using a dry cloth and check if it persists.
Compressor is not running	Protective thermic of the compressor will blow out during sudden power failures or plug-out plug-ins as the refrigerant pressure in the cooling system of the refrigerator has not been balanced yet.	Your refrigerator will start running approximately after 6 minutes. Please call the service if your refrigerator does not startup at the end of this period.
	The fridge is in defrost cycle.	This is normal for a full-automatically defrosting refrigerator. Defrosting cycle occurs periodically.
	Your refrigerator is not plugged into the socket.	Make sure that the plug is inserted tightly to the wall socket.
	Are the temperature adjustments correctly made?	
	There is a power failure.	Call your electricity supplier.
The fridge is running frequently or for a long time.	Your new refrigerator may be larger capacity than...	This is quite normal. Large refrigerators operate for a longer period of time.
	The ambient room temperature may be high.	This is quite normal.
	The refrigerator might have been plugged in recently or might have been loaded with food.	Cooling down of the refrigerator completely may last for a couple of hours longer.
	Large amounts of hot food might have been put in the refrigerator recently.	Hot food causes longer running of the refrigerator until they reach the safe storage temperature.
	Doors might have been opened frequently or left ajar for a long time.	The warm air that has entered into the refrigerator causes the refrigerator to run for longer periods. Open the doors less frequently.
	Freezer or fridge compartment door might have been left ajar.	Check if the doors are tightly closed.

Complaint	Possible Reason	Solution
The fridge is running frequently or for a long time.	The refrigerator is adjusted to a very low temperature.	Adjust the refrigerator temperature to a warmer degree and wait until the temperature is achieved.
	Door seal of the fridge or freezer may be soiled, worn out, broken or not properly seated.	Clean or replace the seal. Damaged/ broken seal causes the refrigerator to run for a longer period of time in order to maintain the current temperature.
The temperatures are too low		
Freezer temperature is very low while the fridge temperature is sufficient.	The freezer temperature is adjusted to a very low temperature.	Adjust the freezer temperature to a warmer degree and check.
Fridge temperature is very low while the freezer temperature is sufficient.	The fridge temperature is adjusted to a very low temperature.	Adjust the fridge temperature to a warmer degree and check.
Food kept in the fridge compartment drawers are freezing.	The fridge temperature is adjusted to a very low temperature.	Adjust the fridge temperature to a warmer degree and check.
The temperatures are too high.		
Temperature in the fridge or freezer is very high.	The fridge temperature is adjusted to a very high degree. Fridge adjustment has an effect on the temperature of the freezer.	Change the temperature of the fridge or freezer until the fridge or freezer temperature reaches to a sufficient level.
	Doors might have been opened frequently or left ajar for a long time.	Warm air rushes into the fridge or freezer when the doors are opened. Open the doors less frequently.
	The door might be left ajar.	Close the door completely.
	Large amounts of hot food might have been put in the refrigerator recently.	Wait until the fridge or freezer reaches the desired temperature.
	The refrigerator might have been plugged in recently.	Cooling down of the refrigerator completely takes time because of the size.

Complaint	Possible Reason	Solution
Noise		
There is a noise like the noise of the seconds of an analogue clock.	This is noise because of the working valve which is used for the temperature control of the special Fridge or Freezer zone.	It is normal and not a fault.
The operation noise increases when the refrigerator is running.	The operating performance characteristics of the refrigerator may change according to the changes in the ambient temperature.	It is normal and not a fault.
Vibrations or noise.	The floor is not even or it is weak. The refrigerator rocks when moved slowly.	Make sure that the floor is level, strong and capable to carry the refrigerator.
	The noise may be caused by the items put onto the refrigerator.	Such items should be removed from the top of the refrigerator.
There are noises like liquid spilling or spraying.	Liquid and gas flows happen in accordance with the operating principles of your refrigerator.	It is normal and not a fault.
There is a noise like wind blowing.	Air activators (fans) are used in order to allow the refrigerator to cool efficiently.	It is normal and not a fault.
Water/condensation/ice in the refrigerator.		
Condensation on the inner walls of refrigerator.	Hot and humid weather increases icing and condensation.	It is normal and not a fault.
	The doors are ajar.	Make sure that the doors are closed completely.
	Doors might have been opened very frequently or they might have been left open for along time.	Open the door less frequently.
Water/condensation/ice on the outside of the refrigerator.		
Humidity occurs on the outside of the refrigerator or between the doors.	The weather may be humid.	This is quite normal in humid weather. When the humidity is less, condensation will disappear.
Bad odour Inside the refrigerator.	Inside of the refrigerator must be cleaned.	Clean the inside of the refrigerator with a sponge, warm water or carbonated water.
	Some containers or packaging materials might be causing the smell.	Use a different container or different brand packaging material.

Complaint	Possible Reason	Solution
Opening and closing of the doors		
The door(s) is (are) not closing.	Food packages may prevent the door's closing.	Replace the packages that are obstructing the door.
	The refrigerator is probably not completely vertical on the floor and it might be rocking when slightly moved.	Adjust the elevation screws.
	The floor is not level or strong.	Make sure that the floor is level and capable to carry the refrigerator.
Crispers are stuck.	The food might be touching the ceiling of the drawer.	Rearrange food in the drawer.

GUARANTEE DETAILS

Your new Beko product is guaranteed against the cost of breakdown repairs for twelve months from the date of the original purchase.

What is covered?

- Repairs necessary as a result of faulty materials, defective components or manufacturing defect.
- The cost of functional replacement parts, but excluding consumable items.
- The labour costs of a Beko approved repairer to carry out the repair.

What is not covered?

- Transit, delivery or accidental damage or misuse and abuse.
- Cabinet or appearance parts, including knobs, flaps, handles or container lids.
- Accessories or consumable items including but not limited to, ice trays, scrapers, cutlery baskets, filters and light bulbs.
- Repairs required as a result of unauthorised repair or inexperienced installation that fails to meet the requirements contained in the user instruction book.
- Repairs to products used on commercial or non-residential household premises.
- Loss of frozen food in freezers or fridge/freezers. (Food loss insurance is often included within your household contents insurance policy, or may be available separately from your retailer).

Important notes.

- Your Beko product is designed and built for domestic household use only.
- The guarantee will be void if the product is installed or used in commercial or non-residential domestic household premises.
- The product must be correctly installed, located and operated in accordance with the instructions contained in the User Instructions Booklet provided.
- Professional installation by a qualified Electrical Domestic Appliance Installer is recommended for all Washing Machines, Dishwashers and Electric Cookers
- Gas Cookers must only be installed by a CORGI (or BORD GAIS) registered Gas Installer.
- The guarantee is given only within the boundaries of the United Kingdom and the Republic of Ireland.
- The guarantee is applicable only to new products and is not transferable if the product is resold.
- Beko disclaims any liability for incidental or consequential damages. The guarantee does not in anyway diminish your statutory or legal rights.

HOW TO OBTAIN SERVICE

Please keep your purchase receipt or other proof of purchase in a safe place; you will need to have it should the product require attention under guarantee.

You should also complete the details below; it will help us assist you when requesting service. (The model number is printed on the Instruction Booklet and the serial number is printed on the Rating Label affixed to the appliance)

Model No: Serial No: Retailer: Date of purchase:

For service under guarantee simply telephone the appropriate number below

UK Mainland & Northern Ireland

Fridges & Freezers	0845 6004903
Electric Cookers	0845 6004902
Gas & Dual Fuel Cookers	0845 6004905
Washing Machines & Dishwashers	0845 6004906

Republic of Ireland

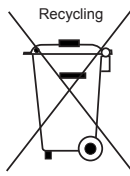
All Refrigeration, All Cookers Washing Machines & Dishwashers	01 862 3411
--	-------------

Before requesting service please check the trouble-shooting guide in the Operating Instructions as a charge may be levied where no fault is found even though your product may still be under guarantee.

Service once the manufacturers guarantee has expired.

If you have purchased an extended guarantee please refer to the instructions contained within the extended guarantee agreement document. Otherwise please call the appropriate number above where service can be obtained at a charge.

Should you experience any difficulty in obtaining service please contact the Beko Customer Help-Line. Tel: 0845 6004911 e-mail: service@beko.co.uk

	<p>This product bears the selective sorting symbol for waste electrical and electronic equipment (WEEE). This means that this product must be handled pursuant to European Directive 2002/96/EC in order to be recycled or dismantled to minimize its impact on the environment. For further information, please contact your local or regional authorities.</p> <p>Electronic products not included in the selective sorting process are potentially dangerous for the environment and human health due to the presence of hazardous substances.</p>
---	---